

S60 E FULL CIRCLE S60 E PART CIRCLE

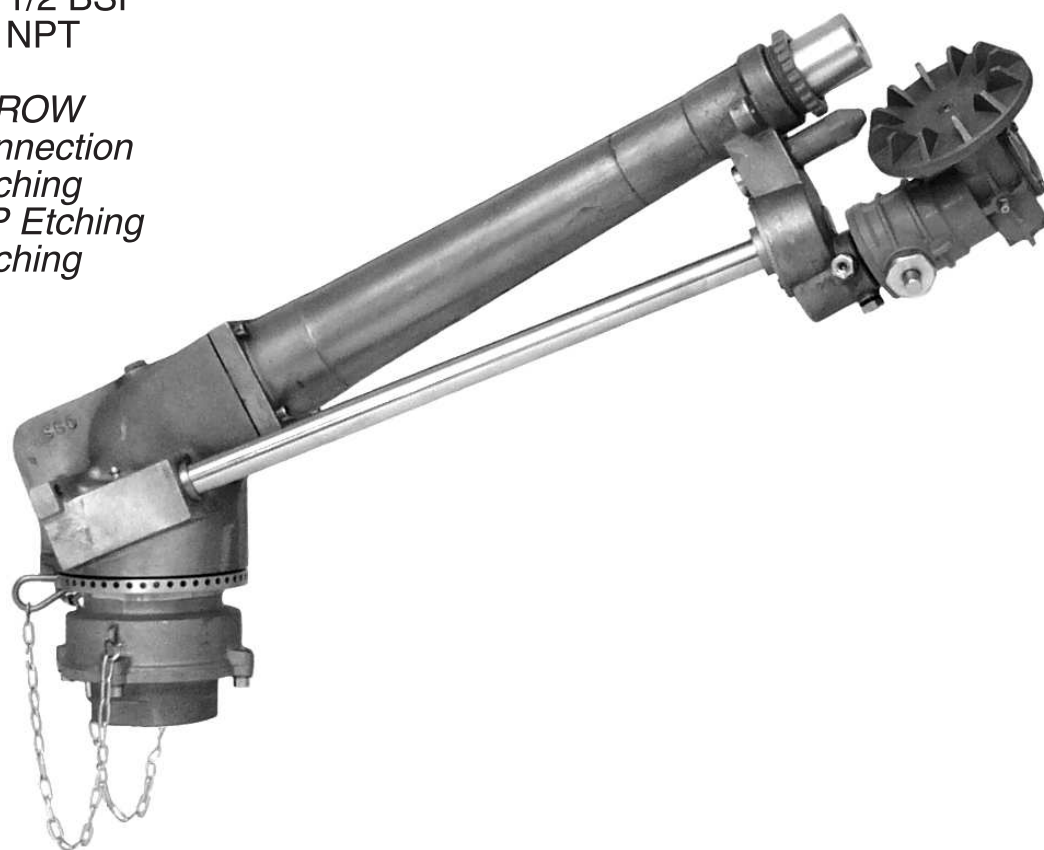
A LUNGA GITTATA

Attacco a flangia
Attacco 2" BSP
Attacco 2" 1/2 BSP
Attacco 2" NPT

LONG THROW

Flange connection
2" BSP Etching
2" 1/2 BSP Etching
2" NPT Etching

TRAIETTORIA 25° o 28°
TRAJECTORY 25° or 28°



Disponibile anche con rompigitto.

Available also with jet-breaker.

Boccaglio Nozzle Ø mm	Pressione Pressure atm.	Portata Discharge l/min	Gittata Length of jet m
16	3,0 - 3,5 - 4,0	281 - 304 - 324	33 - 35 - 38
18	3,5 - 4,0 - 4,5	384 - 411 - 436	37 - 40 - 42
20	4,0 - 4,5 - 5,0	506 - 537 - 566	41 - 43 - 45
22	4,0 - 4,5 - 5,0	612 - 649 - 684	43 - 45 - 47
24	4,0 - 4,5 - 5,0	729 - 774 - 816	45 - 47 - 49
26	4,5 - 5,0 - 5,5	908 - 957 - 1004	47 - 49 - 51
28	4,5 - 5,0 - 5,5	1053 - 1110 - 1164	50 - 52 - 54
30	5,0 - 5,5 - 6,0	1273 - 1335 - 1394	53 - 55 - 57

I dati tecnici sono orientativi e non impegnativi

The technical characteristics are indicative and not binding